

CERTIFICATE OF TESTS

Certified that this Hager RCBO was tested for compliance to all routine tests specified in IS12640

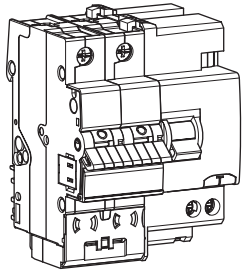
Type

1. Test of Sensitivity	OK
2. Tripping Time	OK
3. Tripping Current	OK
4. Performance of Test Device	OK
5. H.V. Test at 2,5 KV	OK

Warning

Is 12640 - Part 2 recommends that RCBO should not be considered as a sole means of protection. It is essential to provide proper earthing.
All parts of the system should be properly insulated. RCBO does not eliminate the electric shock but limits duration of passage of current through human body to such a short time, probabilities of a lethal effect are reduced to a minimum.

6A5027c



1P+N and 3P+N 6 to 63 A



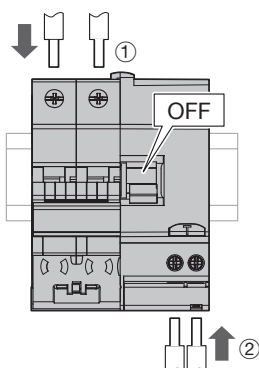
WARNING : Installation by qualified contractors only



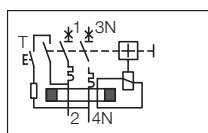
RCBO should be installed suitable IP rated enclosures to prevent dust entering inside the mechanism.

<ul style="list-style-type: none"> • Breaking capacity : 10 kA • MCB curve C • RCD type AC 	30 mA	100 mA	300 mA
1P + N 4 	ADC206Y (6A) ADC210Y (10A) ADC216Y (16A) ADC225Y (25A) ADC232Y (32A) ADC240Y (40A) ADC263Y (63A)	AEC206Y (6A) AEC210Y (10A) AEC216Y (16A) AEC225Y (25A) AEC232Y (32A) AEC240Y (40A) AEC263Y (63A)	AFC216Y (16A) AFC225Y (25A) AFC232Y (32A) AFC240Y (40A) AFC263Y (63A)
3P + N 6 	ADC416Y (16A) ADC425Y (25A)	AEC416Y (16A) AEC425Y (25A)	AFC416Y (16A) AFC425Y (25A)
3P + N 7 	ADC432Y (32A) ADC440Y (40A) ADC463Y (63A)	AEC432Y (32A) AEC440Y (40A) AEC463Y (63A)	AFC432Y (32A) AFC440Y (40A) AFC463Y (63A)

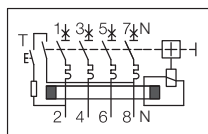
Electrical connection



1P+N

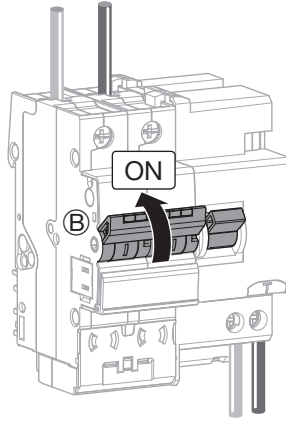
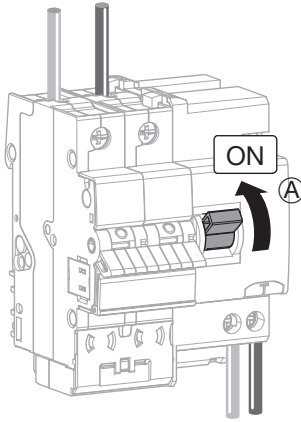


3P+N

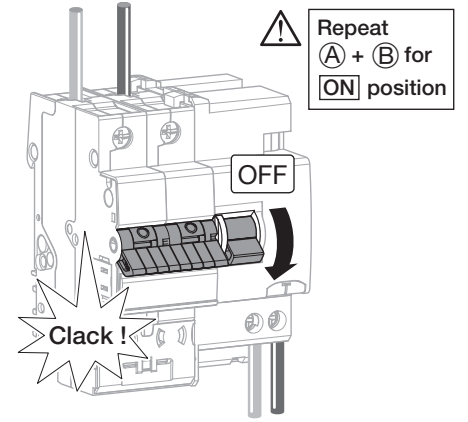


	6 to 25 A	40 to 63 A
(mm ²)	10 □	25 □
(mm ²)	6 □	16 □
	12 mm	
	PZ2	
	2,5 Nm	
	2,2 Nm	2,9 Nm

Operating ON

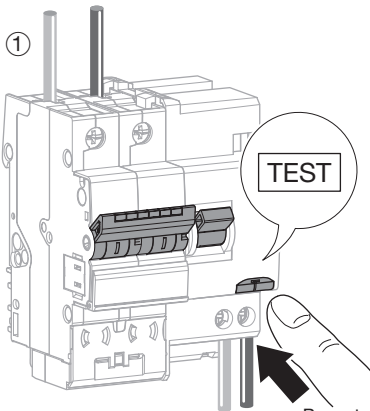


Operating OFF

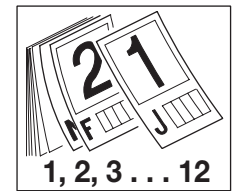
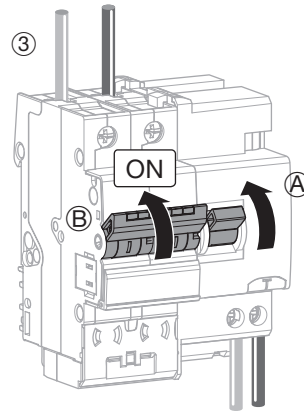
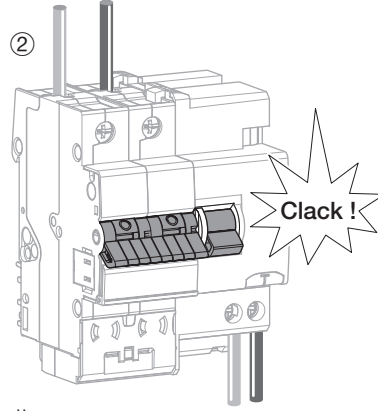


Repeat
(A) + (B) for
ON position

TEST



Press test button :
 RCBO must trip



Auxiliaries association possibilities (see catalogue for more details)

- Auxiliary contacts
- Alarm contacts
- Shunt trip
- Undervoltage release
- Overvoltage release
- Locking kit

All auxiliaries are common to multi-pole circuit breakers.
 These auxiliaries are fitted to the left hand side of devices.

Warranty

GB

A warranty period of 24 months is offered on hager products, from date of manufacture, relating to any material of manufacturing defect. If any product is found to be defective it must be returned via the installer and supplier (wholesaler). The warranty is withdrawn if :
 - after inspection by hager quality control dept the device is found to have been installed in a manner wich is contrary to IEE wiring regulations and accepted practice within the industry at the time of installations.
 - the procedure for the return of goods has not been followed.
 Explanation of defect must be included when returning goods.